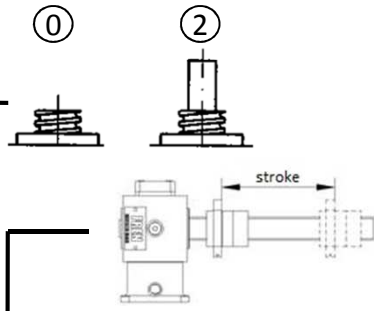


FEM = Flanged single nut
 ZEM = Cylindrical single nut
 FEMV = Flanged single nut
 prestressed
 ZEMV = Cylindrical single nut
 prestressed
 FDM = Double flange nut
 ZDM = Cylindrical double nut

O = Version above
 U = Version below



Standard:
 10arcmin = 10 arcmin
 Special :
 5arcmin = 5 arcmin

Reductions:
 45 = 45:1
 30 = 30:1
 15 = 15:1

Refers to
 the axis distance

SH
 Servo
 lifting
 gear

H = horizontal
 V = vertical

00 = without motor
 M = with motor

00 = without
 nut housing
 MG = with
 nut housing

00 = without
 floating
 bearing
 LL = with floating
 bearing

SH 35 - 45(10arcmin) - FEM - O - O - 500 - H - M - MG - LL

Type

Gear size

Reduction i

Backlash

Traveling nut version

Version

Spindle nose

Stroke mm

Fitting position

Motor

Nut housing

Floating bearing